

Kenneth D. Magenau, President
4426 Point Comfort Drive
Akron, Ohio 44319

Mrs. Helen Stozus, V. P.
107 Troy Road
South Windsor, CT 06074

Paul B. Miller, Sec'y-Ed
119 South Maple Street
Akron, Ohio 44302

Roger Van Patten, Treas.
1215 Calkins Road
Rochester, N. Y. 14623

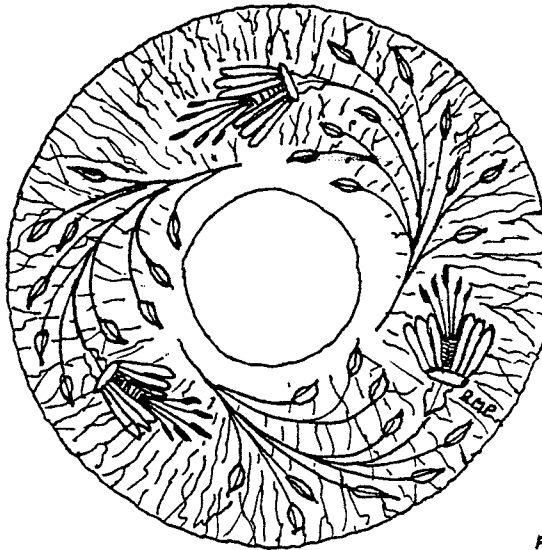
DIRECTORS

Carlton Schleede
975 Gallup Road
Spencerport, N. Y. 14559

Berry A. Wiggins
Rt 1 - Box 139
Rhoadesville, VA 22542

Mrs. Mildred Bicksler
460 Bicksler Drive
Wadsworth, Ohio 44281

Mrs. Alma Magenau
4426 Point Comfort Drive
Akron, Ohio 44319



VOLUME- IX
NUMBER. 1

FOUNDED- APRIL-21-1974
DENVER-PENNA

STRETCH GLASS SOCIETY

NEWSLETTER

April, 1982

* * * * * April, 1982 * * * * *

A message from your President . . .

Alma and I are looking forward to seeing each of you at the Annual Convention in St. Clairsville. One of the major deterrents to a stronger Society is the distance each of us has to travel for our yearly get-together. What with gasoline prices and the general economy, it gets more difficult each year for many people to make the trip. It has been a while since any West Coast people have made it and East Coast people are finding it harder year by year to attend. Another deterrent is the lack of literature. It may be time for a major book on the subject of Stretch Glass - or at least an updating and revision of the Umbraco and/or Wiggins books. We really need publicity about the glass and the Society, but that usually costs money and - where does that come from?

I think I can promise you some surprises at this Convention. For one thing, I have appointed Jabe Tarter, Berry Wiggins, and Alma Magenau as a nominating committee. A president, vice-president, and secretary-editor need to be nominated and elected. Other moves are in the works and some may not be popular, but something surely needs to be done.

We really need you this time for input as well as moral support. The time may well be here to "fish or cut bait." I'm sure that all of you are much like Alma and me; that is, you have many irons in the fire and many other interests as well as Stretch Glass. However, there may be something you can do for Stretch Glass which will not cost much time or money. Please do try to come to this Convention to find out. Stretch Glass people are the best and the glass is beautiful, but that may not be enough to hold the Society together. I have hesitated for a long time to say it, but this Convention could well be the "Last Hurrah" of our Society.

April, 1982

-2-

I really do hope to see many of you in May. Perhaps we can resolve differences, solve problems, cement friendships, chart courses, and determine goals. Sound like a big job? It sure does, but with your help, we can do it!

Ken Magenau

Dear Paul:

Just received the January, 1982, Stretch Glass Society Newsletter today and as always it's real fine and shows your hard work, Paul.

I think it is best to answer the question about Russet color of Stretch Glass while it is still fresh in my mind.

About 3 years ago we thought the Blue Opaques and the ambers were made by both Fenton and Northwood. I could tell which piece was made by which company. Things were looking up! At the next Fenton Glass Convention Mr. Fenton was giving a talk in the Museum theater when he dropped the bomb. Both the olive green, called Russet, and the Blue Opaque were made only by Northwood. Bill Crowl and I were there and he said, "What do you boys think about this?" As usual, he proved what he had said.

Mr. Fenton finally convinced me that by holding a piece of Russet to the light it is an olive green color. The other amber colors do not have this olive green tint.

Of course, the Blue Opaque was called Jade Blue, but the mixture in the glass varies a lot, but all made by Mr. Northwood. I have to always remember Mr. Northwood had passed away in 1919 and the company was never the same after that.

Anyone that loves Stretch Glass as I do owes a big thanks to Mr. Fenton for his knowledge of glass and helping all of us to find which manufacturer made which piece. I've been researching a lot now for 3 years and he has been the one that encourages and puts the pieces together. If I can win his approval on who made a piece of glass, we are in good shape. You have to prove you are right or go back digging for more information.

In the last year and a half I've had the pleasure of working with Bill Heacock, too. This was brought about by Mr. Fenton bringing us together. You can see that I am very fortunate in a lot of ways.

Just received a letter from Bill Heacock saying his Ruby Stained Glass and his Salt Dip books will be out or finished in March and he will schedule photography for our Northwood book in the Spring.

I took on going through the Design Patents at the Patent Office in D.C., and it's worth the trouble - very interesting. I haven't been there since the 1st of December but I'm just waiting for this weather to break so that I can get back there.

Sincerely,

Berry Wiggins

Dear Paul:

Here in the San Francisco Bay Area it has done nothing but rain since November. So we are looking forward to bright and sunny days so we can again go out on the trail of more stretch glass.

April, 1982

But despite all of the wet weather, Russell did find another tangerine dolphin compote in a different shape. As with so many of the dolphin tangerine pieces, the top is very opalescent. There is something magic about the dolphin compotes for me.

Northwood's Russet color is what Russell and I called olive-yellow, or some call it an olive-green color. Only Northwood made this color in stretch glass.

Concerning Pat Call's white compote with the lattice edge that she wrote about in the last newsletter, we have seen several and it seems like most have the broken or fractured lattice work. We doubt if there are many of these compotes around.

Bob Ragan asked about the different pitcher coasters. As far as we know there are only the two different styles. The one pictured on the front cover of our book and the one on the front cover of our price guide. The one on the price guide was quite a mystery until Russell found two of them. The short, lidded pitchers look perfect on them. Those are the only two that we have ever heard of and none of the coasters are easy to find.

We have been asked how many 'engraved' (sanblasted-like pattern) patterns there are. According to Fenton's old catalog there are six patterns with some having the design also in the center. There is a bowl pictured on page 19 of our book. The only pieces that we have seen are the sapphire blue bowl, mint green plates, marigold plates, and purple (Fenton's wisteria) plates - these plates do have the design in the center. We would class these as very rare pieces of stretch glass.

Happy Stretch Glass Hunting,

Kitty and Russell Umbraco

As I write this paragraph or so I've just received the last photograph from Mr. Fenton to accompany the 2nd half of his talk at our last Convention. It is a tremendous amount of research and work and there is no way that I, or we, could possibly thank him enough for all he has done for SGS. There is enough material in this part of his talk to last for 3 or possibly 4 SGS newsletters. It will also be first-hand information that could not be gotten from ANY source and I know that all of you are looking forward to forthcoming newsletters containing this valuable information.

These forthcoming newsletters will be sent to you by your new Secretary-Editor and I will be turning all of Mr. Fenton's material and pictures over to him. Your new Secretary-Editor will be Mr. Robert M. Ragan, 6673 State Road, Parma, Ohio 44134. All of you that receive the newsletters have read, I'm sure with much interest, the articles Bob has sent in to be published in the newsletters. He not only writes a detailed and interesting, yes, and informative article but his drawings are superb. I've never been able to draw a straight line.

Bob has never attended a previous Convention and he is looking forward to meeting all of you at our annual Convention in May. I've looked for a long, long time for someone whom I thought would be able to take on this job and finally found that person in Bob. He has youth, intelligence AND enthusiasm. He has a super collection for one so young which he will share with you as he has been doing after he has completed the last half of Mr. Fenton's talk. I might say here that his beginning will be ready-made but I know that in the future he will need material from you to be published. Therefore, it is my hope that every one of you will support him with whatever you have that you can share with the membership.

My heartfelt and grateful thanks goes to each and every one of you that have been so helpful to me in the past 9 years that I've held this job. It couldn't have been done without you. You have provided all that I needed for each newsletter, sometimes at the very last moment. I'm sure you are aware that the newsletter is the instrument that holds the entire organization together. I'm pleased to be able to turn the job over to Bob and I know he will do a most excellent job for The Stretch Glass Society. Best of luck, Bob. May God bless you -- every one!

Paul B. Miller

April, 1982

-4-

March 3, 1982

Dear Paul,

Well, March doesn't know what it wants to do. It came in like a lamb on the 1st and 2nd, and now it's a lion with 9 inches of snow! All I keep telling myself is that it is only 4 more weeks until April. I can definitely feel my antiquing bug coming out of its hibernation!

Florence Oehlke sent a photo to you which you then enclosed in the October issue of last year. No one seemed to have responded with any information for her so I've enclosed a drawing of an etched plate and compote set that I have. Since no measurements were given I do not know if our plates are of similar size. I know that they do differ in that my dish does not have a polished or grounded base.

As you can see by my drawings, the etching design is different, but the general appearance of the plates are alike. The craftsmanship of the etching is quite remarkable. The design for the compote is identical to the plate only it is reduced in width in order to fit onto the curved rim of the piece. Both pieces I believe are Fenton's "Persian Pearl" (a clear glass with a radiant multicolored iridescence). The range of colors that are reflected in the iridescence are fantastic!

Figure 3B shows that there is an inner circle to the plate into which the compote fits with roughly a $\frac{1}{4}$ inch to spare. There is a raised edge around the inner most circle which prevents the compote from slipping off the plate.

Figure 3C is an actual "rubbing" of the plate to show more accurately the actual etching design (the stretch marks were drawn in extra). The leaves, which have a center line or cut, and the petals of the flowers are not polished so they appear "frosted". The center of each flower is polished and gives the design an almost three dimensional quality. I find these etched stretch pieces always to be quite beautiful and welcome additions to my collection.

Pat Call sent in the photo of her compote/vase (?) of which I have a similar variety. Mine is in vaseline stretch, but the lattice work does not extend as far. I find these pieces quite remarkable since the lattice design is so fragile. It amazes me that my piece has made it from the factory (it must be tough getting it out of the mold) and through the years to end up without a crack!

The lattice work has delicate stretch marks on it which do not extend into body of the piece. The underside of the base is heavily iridized and has stretch marks which reflect quite nicely through the base and are visible when viewed from above. The body of the vase has 4 panels made up of two ribs each (see figure 2A). The ribs extend from the lattice work down right into the base.

Since Pat's white piece is so large, it would appear that this style was produced in two sizes. I have seen non-iridized pieces pictured which were made from the same mold. One showed the lattice flared out and extending down while another flared up to form a fan vase shape.

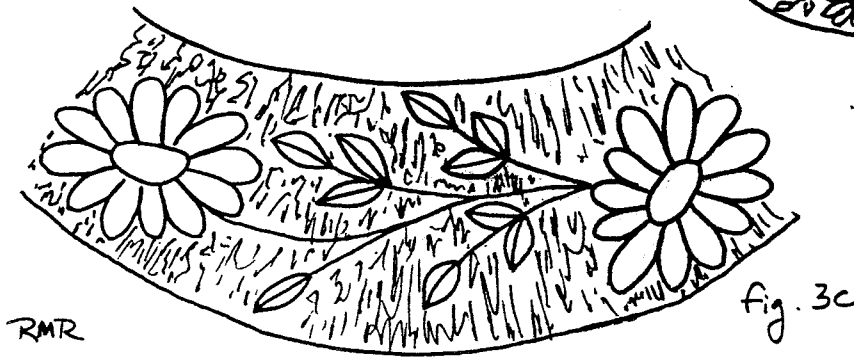
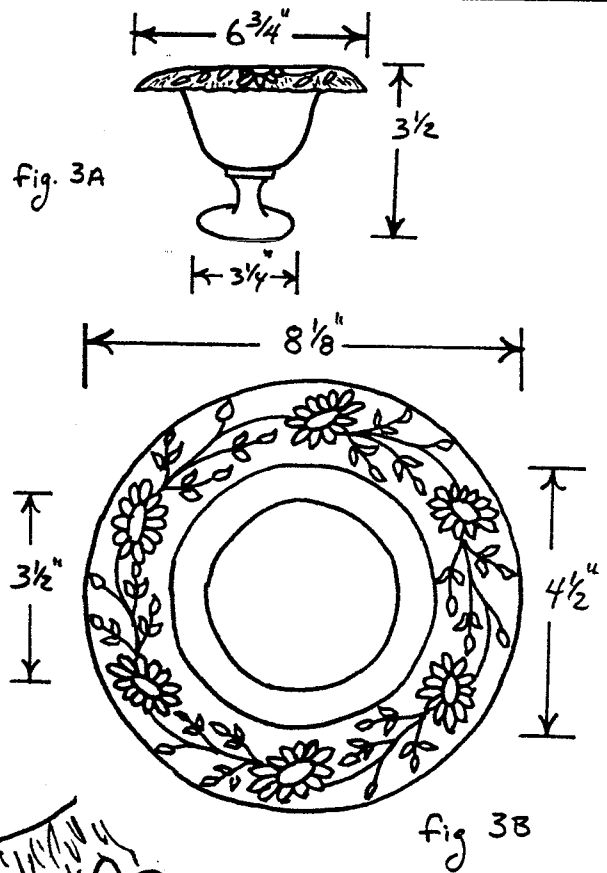
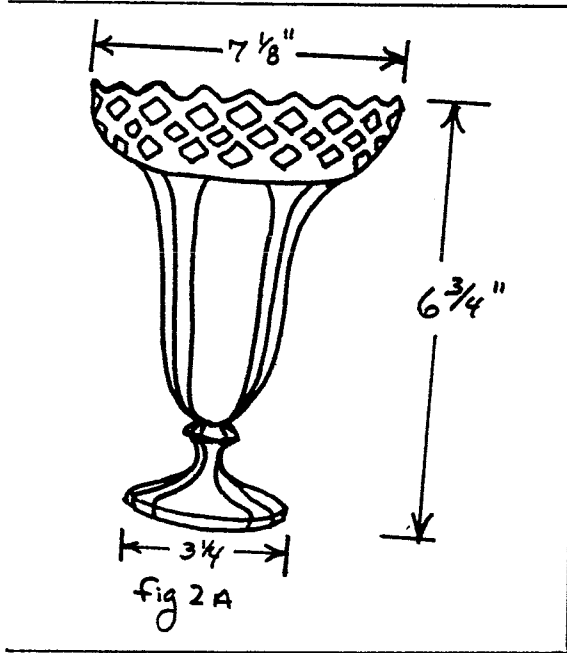
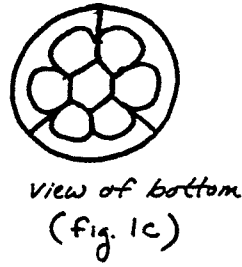
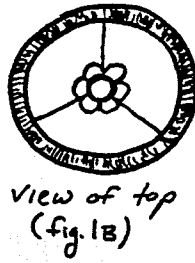
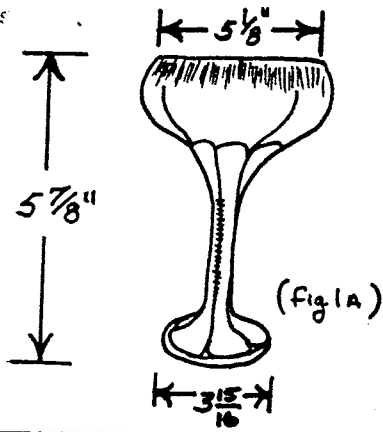
Figure 1A-C shows a compote I have which has "sawtooth" marks on the stem. The piece is a deep blue and is very heavy. The stem gets very wide directly under the top portion and contains a good deal of glass which gives the piece extra weight. Due to the extra weight, the piece would be very top heavy and unstable, but the base is very wide, being almost 4 inches across.

In figures 1B & C, I showed top and bottom views. The 6 panelled stem creates a simple but attractive design. The design is reflected through the thick stem in the top portion which produces a very nice effect. In the bottom inside of the bowl portion, there is a small circular area which is indicated in the center of fig 1B. There are three mold marks which extend from the base through to the top at which they disappear into the stretch marks which are many and close together. The mold marks I believe are purposely heavy and are visible when the compote is viewed from the top.

The "sawtooth" marks are located on every other edge of the 6 panelled stem. The edges that do not have these markings directly correspond to the mold lines as can be noted in fig. 1A. It is virtually impossible to count the number of "sawteeth" because they are small and slowly appear on stem. They are barely detectable at both ends of the stem and gradually become visible and more detectable. As stated earlier, my piece is blue and I have also seen this compote in a mint green color as well.

Well, that's all for now. I hope to see many people at the convention in May. Until then happy stretch hunting to all.

Bob Ragan



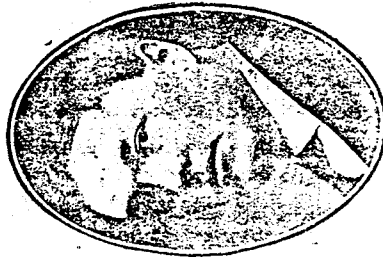
RMR

Indiana Has a Model Glass Factory and Its Product Is in Great Demand

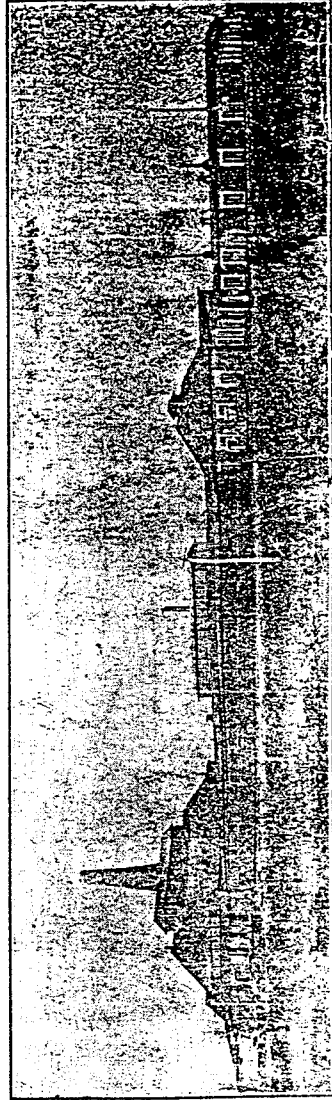
As early as 25 years ago limited capital became interested in the manufacture of glassware in Indiana and the industry has figured more or less prominently as one of Indiana's manufacturing concerns, operated at various times by four different com-

panies. One of the Indiana Glass Companies was the New York Glass Company, the Duquesne Glass Company, the Diamond Glass Company and the Diamond Glassware Company, which is the plant under which the plant is at present operated. The present officers are J. R. Richards, president; D. B. Taylor, treasurer and superintendent Thomas, secretary and superintendent. The following compose the board of directors: J. R. Richards, H. E. Clark, J. O. Clark, C. R. Smith, J. A. Crossman, D. B. Taylor, H. Wallace, Thomas, A. S. Cunningham and W. G. Minnemaeyer.

The company is one of the leading industries in the town, and at present produces a number of skilled laborers. The company has a monthly payroll of \$10,000 and the regular distribution of this sum contributes greatly to the prosperity of the community. It manufactures high grade decorated tableware, novelties, trivets and light cut glassware and orders were booked months ago for the entire year. The only imported product of the local plant at present that comes in competition with the product of the local plant at present is that made in Bohemia and customers in various sections of the country shipments of the Indiana were go to England and Australia and other foreign markets, but the concern is compelled to turn down orders almost daily in order to meet the demand for the product of finer quality of the ware has won for the company a most substantial patronage among the big jobbers and at the present rate that they are largely due to the fact that little glassware is being made abroad at present. In addition to its regular customer time.



H. WALLACE THOMAS
Superintendent
Glassware Company
Indiana, U.S.A.



PLANT OF THE DIAMOND GLASSWARE COMPANY, INDIANA

SCHEDULE OF EVENTS

THE STRETCH GLASS SOCIETY'S ANNUAL CONVENTION

May 6, 1982 - Thursday

Check in at the Holiday Inn, RFD 4, St. Clairsville, Ohio 43950 - 6 miles West of Wheeling, West Virginia off I-70, preferably before 6:00 PM. If you find you will be late then give Ms. Ruth C. van Curen a call at the Holiday Inn to let her know. Tel. 614 - 695-0100.

May 7, 1982 - Friday

9:00 AM - Breakfast as a group (reservations needed) and registration. Register on Thursday upon arrival if at all possible.

10:00 AM - Business meeting and election of new officers. All officers to out this year with the exception of the Treasurer who was re-elected at the last Convention for another two-year term.

Lunch on your own.

2:00 PM - Tour of the Imperial Glass Corporation at Bellaire, Ohio, visit the Hay Shed and Display Room. Those who haven't visited the Imperial Glass Museum should do so after the factory tour or on Saturday.

May 8, 1982 - Saturday

Morning free to visit, buy or sell, visit Imperial Glass Museum, or local antique shops.

12:00 Noon - Luncheon for all attending - reservations needed.

1:00 PM - Mr. Axel Ottoson will speak to the Group. Mr. Ottoson was associated with Imperial starting in September or 1931, after graduating from the University of Illinois. He served as Ceramic Engineer from 1942 until he retired in 1978. In 1962 it was his responsibility to re-develop the technique of iridescent applications to glass under which process the stretch glass will come. He will be able to give us a lot of information heretofore unavailable. We look forward to having Mr. Ottoson as our guest speaker.

After the talk by Mr. Ottoson the Convention will be considered over and some of you will want to go home and some will want to spend another night.

The 1982-83 dues are NOW DUE. Please pay your dues at the time you register for the activities upon arriving at the Holiday Inn. We hope to see a much larger turn-out this year than we had last year. This will be a very important Convention and your input of ideas on what lies ahead for SGS will be greatly appreciated. See YOU there!

April, 1982

**STRETCH GLASS
IN COLOR**

By Berry A. Wiggins

This is the first book on Iridescent Stretch Glass for immediate mailing. Who made Stretch and how to identify Stretch Glass are answered in this book. Articles on Fenton, Imperial and Northwood taken from original catalogs and old magazines.

38 Color Pictures
ORDER NOW \$7.95 postpaid
Price Guide with Stretch
Glass Book I.....\$1.50

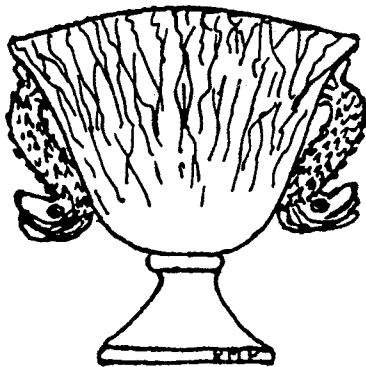
Make check payable to

Wiggins Stretch Books
Rt 1 Box 139
Rhoadesville, VA 22542

VA residents add 4% sales tax.

MEMBERSHIP FEE \$5.00 per Family per year payable on APRIL 1st of each year. Make check to SGS and send to Treasurer.

Return to: Paul B. Miller
119 South Maple Street
Akron, Ohio 44302



IRIDESCENT STRETCH GLASS

By Russell & Kitty Umbraco
64 Pages Showing Over 200 pieces in
Full Color with Text.....\$5.95

Price Guide & Supplement...\$2.00

Order from Authors

6019 Arlington Blvd.
Richmond, California 94805

CA residents add 6% sales tax.

ADVERTISING RATES 5¢ per word
\$1.00 minimum.

Send fee to Treasurer with copy of ad
to Sec'y-Editor.

Back issues of Newsletters available.
Write and enclose SASE for price to
Sec'y-Editor.

FIRST CLASS MAIL