

VOLUME • X111
NUMBER • 2

FOUNDED • APRIL • 21 • 1974
DENVER • PENNA

February 1987

STRETCH GLASS SOCIETY

President's Message

January 26, 1987

Another New Year has dawned and we have twelve new months in which to search for Stretch Glass.

I hope all of you enjoyed your Holidays as much as I did. Did Santa bring anyone a special piece of Stretch? Write and tell our members about it.

I recently attended a local show and got all excited when I spotted what appeared to be a superb piece of Imperial Jewels. (See Umbraco's book - page 53 KU 157.) However, on closer examination I found a mark pressed into the side near the base which I do not recognize. Does anyone know this mark? The squiggly line at the bottom looked like a garland of leaves. It was hard to tell because the whole mark was less than an inch long.



Elsewhere in the Newsletter you will find Convention information. I had almost given up hope of finding a place in the Cleveland area that did not want \$200.00 for the display room and \$65-\$75 a night for guest rooms.

Just as I was about to send out a distress signal, the "Texas Cavalry"

Copyright 1975 The Stretch Glass Society. Material may not be reproduced in whole or in part in any form whatsoever without written permission of the Board of Directors.

(President's Message continued)

came to the rescue. Jabe decided (on his own) to take a chance and call one of the motels he had contacted last Spring when everyone told him that they were booked up. Would you believe, the very day he called they had had a cancellation for our weekend. Talk about ESP!

Thanks, Jabe!

Please look over the Convention information and get your reservations in quickly.

Mary Louise needs more material for the next Newsletter. Write to her about your experiences, or send any articles you may find. Just a few lines from each member would help.

Sincerely,

Janne
Joanne Rodgers, President

.....
In Memoriam
.....

In November we received the news that death had claimed another of our good friends, and a charter member, Carl Schleede. Carl and Rose were instrumental in organizing the Society in 1974 and remained active, contributing members. They worked hard at the 1985 Convention assisting the photographers who were taking pictures of our glass for Bill Heacock's new book.

We will miss Carl. Rose, we all hope you will continue to join us at Convention and will remain an active member.

.....
Convalescing
.....

On November 26, Eldon Dolby had surgery. I am happy to report that as of January 26, he is doing well and looking forward to getting back to full activity in the near future.

.....
Thank You
.....

A note of thanks has been received from Rose Schleede and family for a contribution to the Cancer Research Institute made by the Stretch Glass Society in memory of our member and friend, Carl.

Stretch Glass Society Annual Convention
.....

April 30, May 1 & 2, 1987
.....

Schedule of Events
.....

Thursday, April 30
3 p.m. - 6:30 p.m.

Set up displays and sale tables

We have three separate rooms. Each person will be allotted one table (unless we have extras available). Extra sale items can be set up in the member's own sleeping room if necessary. All tables will have cloth covers.

6:30 p.m. - approximately 9:00 p.m.

Dinner and Guest Speaker

Dinner is \$9.95 per person + 16% gratuity and 5% sales tax.
Choice of

Roast Top Round of Beef, Au Jus
-- or --

Chicken Marasala

Rest of meal is the same for all:

Fresh Fruit Cup
Vegetable Medley

Tossed Green Salad
Wild Rice Pilaf

Assorted Cakes

Tea, Coffee, Milk

Speaker: Russell Vogelsohn of Summit Art Glass

Friday, May 1
10 a.m. - 8 p.m.

Rooms open to public for viewing and selling.
Immediately after 8:00 p.m. glass must be packed and taken to our rooms.

Also Friday

Trip to Museum at Kent State University

Trip to Summit Art Glass. Terry Crider will make Art Glass, Stretch Glass, paperweights.

(We have volunteers to watch the display rooms.)

*All meals on your own today.

Saturday, May 2
8:00 a.m.

Group Breakfast followed by Business Meeting
Breakfast - \$4.25 + 16% gratuity + 5% tax
Chilled Juice, Scrambled Eggs and Bacon, Hash Brown Potatoes
Biscuits - Coffee, tea, milk

After the Business Meeting we can do some more sightseeing or head for home.

.....

Convention News continued)

Additional Notes of Importance

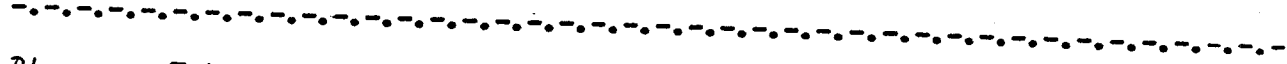
1. We can bring snacks and coffee and tea will be purchased from Holiday Inn. However, they have requested that we do not bring things that are sticky or gooie, like brownies or cakes with frosting. They suggest cookies, or anything of that type.
2. Cars and Vans, etc. should never be left unlocked and unattended. As you carry things into the motel, lock your vehicle between trips.
3. We have reserved 20 rooms. If we book all of them, our display/sale rooms will be free. If we reserve fewer than 20 rooms, the display rooms will cost \$180.00.

Attached is a reservation form. Please send it to Holiday Inn immediately.

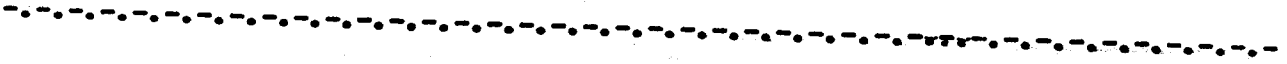
Also, it would be helpful if Jabe were notified of your plans to attend. A one-liner or post card will do - "I'm coming to SGS Convention" and your name. Send it to Jabe at the following address-
Jabe Tarter, 119 S. Maple Street, Akron, Ohio 44302

For Your Information - the address and phone number of the Holiday Inn
Holiday Inn - 4363 State Route 43, Kent, Ohio 44240
- phone number - 216 - 678 - 0101
Mary Jane Heston, Director of Sales, is our contact person there.

***** The following page can be removed and used for your reservation form for your motel room and for your banquet choice of entree as requested on page three- either roast top round of beef or chicken marsala.



Please Take a minute now and let Jabe know that you are planning to come to the Convention. Remember that just a post card with that message and your name will be just fine. We are all looking forward to your company and a few very pleasant days and evenings together!



.....
Letters to the Editor and the Members
.....

We received this special request from Berry Wiggins for you.

I believe we would have a jumping good time if all of us would bring our frogs to our next Convention. Of course a city person like Jabe Tarter would call our frogs flower blocks.
.....

In Fenton Book One, page 86, lower right hand corner of top section, I saw a picture of two frogs; one 2" and one 3". Next I found out that I have five 2" frogs. On comparing them closely each was made by a different glass house. Now I am anxious to show these to Mr. Fenton and see what he says. Also I have one 3" frog which will probably be Fenton or Northwood.

(Letters to the Editor and the Members continued-)

All being well I'll see Mr. Fenton before the Convention and pick up some facts from him.

So- feed the frogs well and bring them to the Convention for all to see!

Please, bring your unusual bases, too.

Berry Wiggins

In a separate note to the Editor Berry wrote that he had worked on the frogs for quite a while in the Fall. He indicated that at first glance the frogs appear to be the same but, and I quote "they aren't when you look close".

What can we say, Berry? Most of us probably thought that black bases were all the same or at least, very similar to one another. But when we have the opportunity for a 'lesson' from Berry we begin to think that no two are the same but one must be a good student and listen carefully because the differences are very minor sometimes - but when Berry points it out to us there is no question about how these black bases vary in design.

We are looking forward to your sessions on "frogs" with curiosity, Berry. Just don't come up with as many frogs as you have different bases, please!

E. Dale Watson sent a thank you to the Society for the gift he received for finding the most new members last year. Mr. Watson was given one of those now famous "high hat vases" described in great detail in the Newsletter dated January 1985 and mentioned again in the July 1986 issue. We are glad that you enjoyed having the "high hat", Mr. Watson!

--Jabe related his story about the vases and how he hid them behind the furnace in the flower shop where he had worked - well, just read that story again. It is very amusing and worth rereading. Within several weeks of that Convention and hearing Jabe's story for the first time I saw what I believed could have been one of the high hat vases. But it seemed too easy to be able to discover one that quickly- and of course, not having seen one, I was not at all sure that it was the 'real thing'. I decided -contrary to everything I have learned in this search for glass that we all participate in- that if it was that easy to find one, there will be another. When I got home I did get out the Newsletters (the only source that I know of about the high hats) and read all that information again. There is a picture, too, in the issue for January 1985, showing several shapes. Well, not too long after that I discovered one at a flea market here in Maryland for a good price. This time I purchased it because I was certain that it was one of Jabe's "high hat vases". It is fun to have it!-- Editor's note

In response to our request for a description and/or drawing of pieces of Stretch Glass with a cutting on them we received the following information from (Mrs.) Florence Oehlke, a member from Weyauwega, Wisconsin. We thank you for your letter and for sharing this information with the members, too. It is our hope that the Newsletter will be a good source of this kind of information that might not be found elsewhere.

(Letters to the Editor and the Members continued)

Florence Oehlke's letter -

"I have two cut pieces. One is a plate (orange) with daisy and leaf pattern cut in. It is not etched. The other is grey with lines and dots, etched and cut. They are the only two I have ever seen. The first one I purchased at Rummage-o-Rama in Milwaukee. The lady had it sitting on a stand and marked \$10.00. I asked her what was the least she would take and she said \$8.00. I had no idea at the time that these pieces were rare. I wanted it because I did not have a piece like it."

On current prices in Wisconsin, Florence Oehlke sends us this information-

"I attended an antique show yesterday and saw two pieces of Stretch Glass. One was the common blue color you see so much of. It was a bowl shaped Price \$27.50. The other was a flat bowl or fruit bowl-price \$37.50-color, lemon-lime. These seem to be the colors most often seen up here. Compared to other years I'd say they have gone up 20 to 25%. I have seen nothing that has been less than \$20.00 in the last year.



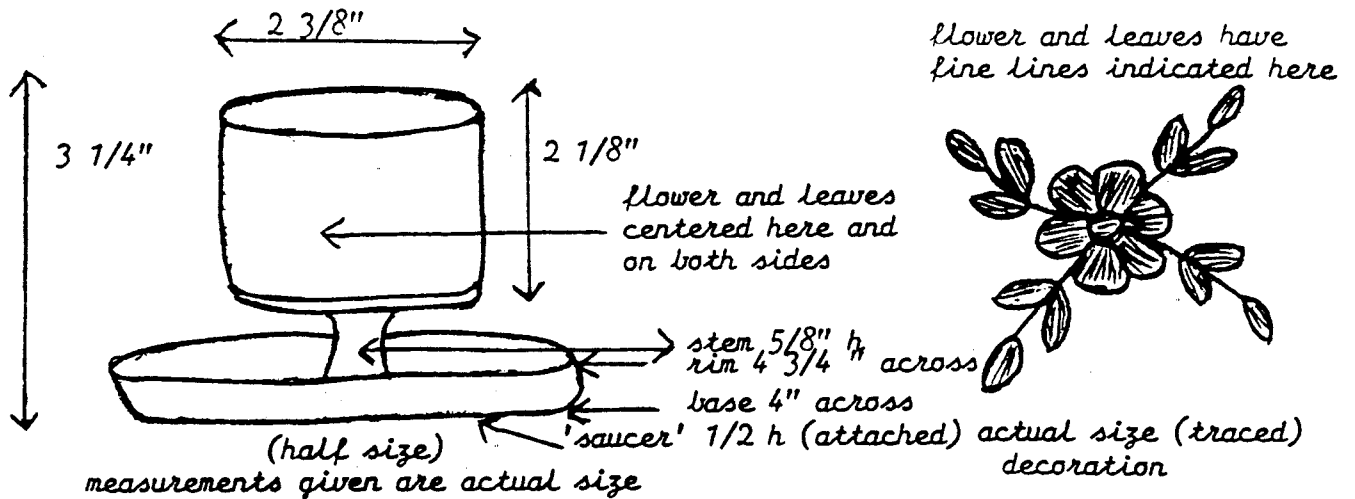
Mrs. Oehlke writes that she has retired now and is no longer active in collecting Stretch Glass but if she sees a "different" piece she does purchase it. She has some of her pieces for sale. They are listed and catalogued by numbers with the exception of a few which she has been unable to identify. There are many signed pieces and all colors. She is planning to publically advertise her pieces for sale this Spring. If members are interested in purchasing any of these pieces a list can be obtained. Please send \$1.00 for copy and a SASE to Florence Oehlke at 209 Hanover, Box 280, Weyauwega, Wisconsin 54983.

-- Thank you again for sharing your pieces with us and sending the information on price ranges there. We hope some of the members may be able to find some wanted pieces among the pieces in your collection. Keep in touch!

-- Last summer a friend and I were able to attend the Duncan Miller Glass Show at their Convention outside Pittsburg. We did have an active Duncan Miller Glass Club Chapter here in the Washington area until a few years ago. They, too, sponsored an annual show, so we were familiar with the beautiful glass. We knew that the rules allowed the club members to display and sell some other glass (Fostoria, Fenton, Cambridge and Heisey-perhaps others) along with the Duncan Miller pieces. It was a spectacular show. There was a marvelous exhibit of pieces in their many colors. There was also a continuing slide show with narration at one end of the display room. Watch for it and try to attend. You will like it!

My point in telling you this story here is that I wanted to share with you my only piece of colored cut Stretch Glass, my only purchase at the Duncan show. The piece is light green, a cigarette holder. It appears to be a Fenton piece like the cigarette holders shown in Fenton Book One, page 93, #556 -the first two pieces on the second row in the top section. The cutting is on the top part where the cigarettes would go and is on both sides of the piece. Now that I have just examined it more closely, perhaps it is an etch and not a cutting at all. However it is the only piece like this that I ever saw for sale-with or without decoration. It is a nice piece to have, though expensive, but perhaps not if it is unusual. Drawings are on the following page. Forgive the quality, please. My first attempt!

(Letters to the Editor and the Memvers continued)



Do let us know whatever you know about the etched and cut pieces of Stretch Glass!

Just a few days ago we received another letter from Carole Jasman, Baton Rouge.

"Enclosed is a photo of a Lemonade Set - pitcher (11 3/4" high), glasses (4 3/4" high), and coasters. I believe it was made by the Northwood Company as the glasses have circles in the bottom. This was our first introduction to stretch glass although we didn't know that was what it was called. The set belonged to my grandmother and we received it as our wedding gift. My grandmother remembered receiving the set as a premium for being the first person in her neighborhood to sign up with a tea company and agree to try their products for a certain length of time. This took place in Des Moines, Iowa, around 1916-1918. She was not sure about the time."



"I was wondering if any member or other person might have information that could help me find out which tea company gave the set out as a premium to their first customers, what year, how many sets, etc. I have seen one set at a shop in Texas but it did not have the coasters."

"My husband and I hope to be able to attend the conventions in a couple of years. Much of the glass we see in Louisiana and Texas seems to be overpriced and some is displayed as Steuben."

"Thank you for any help you can give me concerning the lemonade set."

--Carole enclosed a spectacular photo of the pitcher, one glass and coaster. We will experiment with a copy machine to try to get a good black and white photo since the drawing above (about 1/3 the height of the glass) does not demonstrate the pattern which I have heard referred to as "quilting". The top plain area flares out a bit above the patterned area. The "diamonds" are apparently 'puffed' like a pillow and very attractive indeed. The color-a medium blue-with what appears to be a pink and gold iridescence. We will have the picture at the convention for Carole and for you to see, too. Please let us know whatever you can about the premium story. Thank you Carole, for your letter and questions. I have a feeling that I saw at least part of this set at one of the conventions. Someone has one, too.

We will be in touch again before the Convention. Let us hear from you! Editor's

address- Mary Louise Ryan, P.O. Box 6833, Silver Spring, Maryland 20906

IRIDESCENT STRETCH GLASS

- Russell & Kitty Umbraco

64 Pages showing over 200 pieces in full color with text. . . . \$5.95

Price Guide & Supplement.....\$2.00

Order from Authors

6019 Arlington Boulevard
Richmond, California 94805

California residents - add 6½%
for sales tax.

STRETCH GLASS IN COLOR

- Berry Wiggins

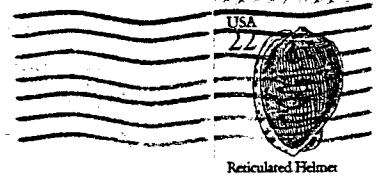
This is the first book on iridescent Stretch Glass for immediate mailing. Who made Stretch and how to identify it are answered in this book. Articles on Fenton, Imperial and Northwood taken from original catalogs and old magazines.

38 Color Pictures

ORDER NOW: \$7.95 postpaid
Price Guide with Stretch Glass
Book I - \$1.50

Make check payable to:
Wiggins Stretch Books
Rt. #1, Box 139
Rhodesville, VA 22542
VA residents add 4% sales tax

Mary Louise Ryan Secretary/Editor
Stretch Glass Society
P. O. Box 6833
Silver Spring, Maryland 20906



First Class Mail
.....



Joanne Rodgers
1221 Andrews Avenue
Lakewood OH 44107