

## THE STRETCH GLASS SOCIETY

# QUARTERLY



## NOVEMBER 2006

### INSIDE

Covered Bonbons & Candy Jars	4
BB's and CJ's in Color	5
In The Limelight	6
Contemporary Stretch Glass	6
Letters & E-Mails	7
More Convention 2007 Pictures	8
SGS & AntiqueWeek Collaborate	9



## SGS Signs Multi-Year Contract With Marietta Hotel

by Pam Steinbach, Director

I am pleased to announce that we have now secured the Comfort Inn in Marietta, Ohio for the next four years—2007 through 2010—for the Society's annual convention show and sale. By locking in dates this far ahead, we have been able to negotiate the best rates possible for our members. The hotel's large, well lit conference room proved to be an outstanding venue this past year and we received overwhelmingly positive feedback from members and visitors alike about the facility.



Scott Fenton talk in 2006

While the conference room was a perfect space for our group, some of the guest rooms and housekeeping staff left a bit to be desired. We believe that this situation will improve as the Comfort Inn establishes a larger, well-trained housekeeping staff. We have to keep in mind that this is a hotel doing a great job of working its way out of receivership. They did an admirable job of handling the large number of guests who were on site last year—from both the SGS and the Fenton clubs.

This increased number of people is something that not only the hotel will need to adjust to....the SGS has to adjust also. The 2006 convention was just a taste of the crowds that we will be exposed to in coming years. It is the desire of the Society to coordinate with the National Fenton Glass Society our dates so that there will be minimal over-lapping of our gatherings in order for those holding dual memberships to participate in the activities of both groups, but sufficiently close enough for members to consider attending seminars and displays of both groups. All efforts will be made for the SGS gathering to immediately precede the gathering of the NFGS which immediately precedes the gathering of the FAGCA (the second Fenton collectors' club—Fenton Art Glass Collectors of America—held annually in Parkersburg, WV). Therefore, exact dates for 2008 through 2010 have yet to be finalized.

With this in mind, the dates for next year's SGS convention show and sale will be Wednesday, August 1<sup>st</sup> through Friday, August 3<sup>rd</sup>. The Society and the NFGS will both be headquartered at the Comfort Inn. That's right, two glass clubs in one hotel! YIKES! But all will be under control because we will be vacating the conference room by Friday night and the NFGS will be setting up in the room on Saturday morning. They will be setting up their member sales room in the smaller room next to the conference room on Friday.

Yes, the need for early reservations at the Comfort Inn will be critical. Those of you planning on attending the 2007 convention should consider reserving your room (only \$67.00) as soon as possible as I know for a fact that members of the Fenton clubs have already started reserving their rooms. The 2006 convention was so much fun; don't miss next year's! See YOU next August.

**The Comfort Inn toll free number is 800-537-6858**

**PRESIDENT'S MESSAGE**

Fellow Stretch Glass Enthusiasts —

Have you ever thought about what it would have been like to walk into a gift shop in the 1920s and see the full line and color selection of Fenton perfumes, powder jars, dresser bottles, vases, candleholders, and accessories spread out for your viewing and shopping pleasure? Have you ever drooled over the reprints of the vintage Fenton catalog pages, thinking what a thrill it would be to have these pages come alive with "the real things" before your very eyes? If you were at the 2006 SGS Convention, Show and Sale this is no longer a dream. The Club display this year featured "boudoir items" and I think it is safe to say that the quantity, variety and quality of items which appeared from the collections of SGS members and their friends was beyond everyone's expectations. Later in this newsletter you will get a glimpse at this outstanding presentation of vintage iridescent stretch glass. A big thank you goes out to everyone who contributed items to the display and to Pam, Renée, Jim, Dave and others who assembled the items for our viewing pleasure. The Club display was but one of the highlights of the 2006 gathering which was one of the best attended Conventions in recent ears. Thanks to everyone who contributed to making it a fun time for all.

I want to extend sincere congratulations to the team which was elected to lead the SGS for the next two years. Stephanie Leonard-Bennett will continue as our Vice President, Renée Shetlar returns to the Secretary-Newsletter Editor position after a term as Technical Director, Dave Shetlar was elected as Technical Director after having served as our most recent Secretary-Newsletter Editor, Phillip Waln was elected as our Treasurer and Jim Steinbach was re-elected as the Director of Ways and Means. Millie Coty was re-elected to serve, once again, as our Director-Historian, but soon after the convention notified us that she would be unable to continue to serve in this position and as a result, at this time we are seeking a volunteer to fulfill these duties for the next two years. And, as you have no-doubt figured out by now, I was re-elected and am pleased to continue to serve as your President for the next two years. Thank you for the confidence you have shown by re-electing me for a second full term.

The Stretch Glass Society continues to be successful on a number of fronts, most notably in our efforts to increase the visibility and understanding of iridescent stretch glass. Through our media outreach, iridescent stretch glass has appeared on the front page of, and in feature stories in, a number of notable collectible publications. We distributed thousands of 2006 Convention, Show and Sale promotion cards and saw an increase in non-SGS members visiting the convention display room. Clearly we are fulfilling our mission of getting the word out about and creating interest in iridescent stretch glass. Several of the visitors to the convention became Club members and our renewal rate for existing members continues to be strong. But we are going to need to do more if we are going to increase the number of stretch glass enthusiasts and collectors and provide a solid foundation for the future of our Club.

I am happy to report that we are in the process of working with the Fenton Art Glass Company to establish an internet presence for the SGS on the Fenton company web site. This internet site will compliment our own web site and will provide the thousands of people who visit the Fenton company web site with an opportunity to learn about our Club and vintage and contemporary iridescent stretch glass. We are also exploring the possibility of collectors and others interested in iridescent stretch glass having access to the SGS via an on-line "community". We will, of course, continue to publish the SGS Quarterly, sponsor an annual Convention, Show and Sale, offer contemporary iridescent stretch glass souvenir pieces and undertake other appropriate activities. We are hopeful that you will choose to become actively involved in some of these activities and also help us spread the word about iridescent stretch glass and the SGS with those you come in contact with.

Thank you for your continuing interest in and support of our Club and iridescent stretch glass.

*Cal Hackeman*

**STRETCH GLASS SOCIETY EXECUTIVE BOARD**

**OFFICERS**

**PRESIDENT:** Cal Hackeman, 8865 Olde Mill Run, Manassas, VA 20110-6132  
**VICE-PRESIDENT:** Stephanie Leonard Bennett, P.O. Box 947, Medford, MA 02155  
**SECRETARY/**  
**NEWSLETTER EDITOR:** Renée Shetlar, 35 Vandeman Avenue, Delaware, OH 43015-1723  
**TREASURER:** Nancy Waln, P.O. Box 3305, Quartz Hill, CA 93586

**DIRECTORS**

**CONVENTIONS/SHOWS:** Pam Steinbach, OH  
**HISTORICAL INFORMATION:**  
**NEWS/TECHNICAL INFORMATION:** Dave Shetlar, OH  
**WAYS AND MEANS:** Jim Steinbach, OH

**WELCOME NEW & RETURNING MEMBERS!**

**Winifred Herbert**, P.O. Box 6718, Reno, NV 89509, USA ..... **775-329-6786**  
**Darlene Johnson**, Afterglow Antiques, 226 E. Hwy 36, Phillipsburg, KS 67661, USA ..... **info@afterglowantiques.com**  
**Stephan Millsap**, P.O. Box 514, Elizabeth, LA 70638, USA ..... **bayou316@camtel.net**  
**Sheridan Olson**, 7815 S. Zante Court, Aurora, CO 80016, USA ..... **salnsleri@aol.com**

**DIRECTORY UPDATES & CORRECTIONS**

**Jean G. Bucher** ..... **3522 Camden Place, Lima, OH 45806, USA 419-224-2088, tombuc@earthlink.net**

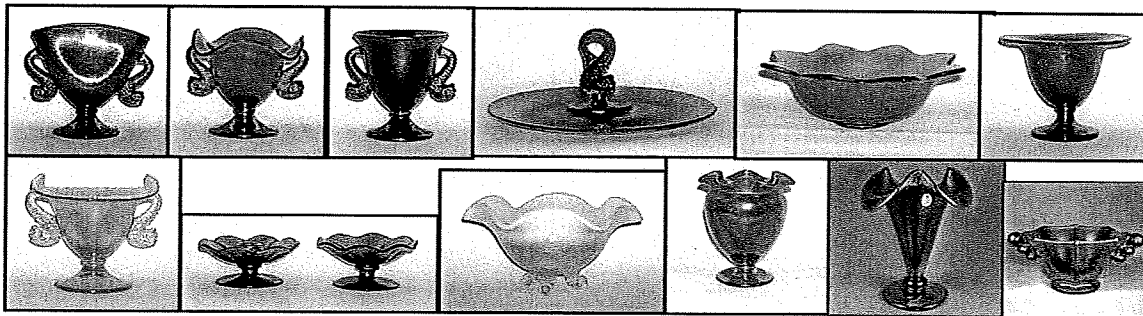
## Member Remembered

Joyce Middleton (June 6, 2006)

We recently lost a very special friend, Joyce Middleton, who always had the most beautiful smile. When we first got to know Joyce and David Middleton (many years ago), they were hosting a carnival glass party at their place. They were serving a punch with ice cubes with a glass ladle in a beautiful huge footed US Glass punch bowl (KU18)<sup>1</sup>. That was the first punch bowl we had seen (this was in the 1960's) and how many do you see today - very few (totally under rated piece). They were using all of their old carnival and stretch glass to serve the refreshments. It was a wonderful party, but I kept guard over the punch bowl so no one would hurt it. Everytime I heard a glass "click" my heart would race. Yes it is still perfect today as is our friendship. Joyce and David started our Northern CA Carnival Glass Club and have been very active throughout the years. They loaned us stretch glass to use for our book and your book<sup>2</sup>. Joyce is an inspiration to us and we will miss her dearly. *Kitty and Russell Umbraco*

## Member Directory

The SGS Member Directory is available by request in two formats—hard copy or electronic. If interested, contact Renée Shetlar at 740-369-1645 or at stretchglassociety@columbus.rr.com.



## CONVENTION SOUVENIRS & COMMEMORATIVES

1994 Ruby, Twin-Dolphin Fan Vase, signed by Frank M. Fenton for SGS 20 <sup>th</sup> Anniversary .....	SOLD OUT
1995 None Produced	
1996 Cobalt Blue, Twin-Dolphin Square Vase .....	SOLD OUT
1997 Black, Twin-Dolphin Comport .....	SOLD OUT
1998 Amethyst, Center-Dolphin-Handled Server .....	SOLD OUT
1999 Violet, Flared Tulip Bowl for SGS 25 <sup>th</sup> Anniversary (2 <sup>nd</sup> Quality) .....	\$36 each
2000 Red, Flared Rib-Optic Comport (1 <sup>st</sup> Quality) .....	\$47 each
2001 Aquamarine, Twin-Dolphin Vase (1 <sup>st</sup> Quality) .....	\$46 each
2002 Emerald Green, Melon-Rib Candle Holders (1 <sup>st</sup> Quality) .....	\$85 pair, or \$45 each
2003 Topaz Opalescent, Diamond-Optic & Threaded Footed Bowl (1 <sup>st</sup> Quality) .....	\$45 each
2004 Ruby, Diamond-Optic Comport for SGS 30 <sup>th</sup> Anniversary (1 <sup>st</sup> Quality) .....	\$55 each
2005 Ruby, Tri-Corner Trumpet Vase (1 <sup>st</sup> Quality) .....	\$55 each
2006 Aubergine, Nut Cup (1 <sup>st</sup> Quality) .....	\$50 each

Contact Jim Steinbach at 740-965-2643 or STRETCHSOCIETY@aol.com for up-to-date availability.

## MANY THANKS!

Recent inductee into the Honorary Life Membership category, Arna Simpson, sent us a note; here is an excerpt:

*"Dear Stretch Glass Society Members and Board of Directors—I want to thank you for the great honor and surprise of Honorary Life Membership. My first thoughts were 'I have to tell Fred'!....maybe he knows. We had interest in many kinds of glass but now most of the interest is in limbo except Stretch Glass. It's still my first love". (Arna, the honor is all ours!)*

<sup>1</sup>REFERENCE— "Iridescent Stretch Glass" authored by the Umbraco's in 1972

<sup>2</sup>"American Iridescent Stretch Glass" by Madeley and Shetlar in 1998

# Covered Bonbons and Candy Jars In Stretch Glass

by David Shetlar, Technical Director

It's been some time since we covered stretch glass candy jars and covered bonbons, so this article will discuss the characteristics of these items. Fenton and Northwood are the two companies that made most of the commonly found jars and bonbons, but Lancaster made quite a number of forms. Diamond also made candy jars and I'm including a couple of pieces made by Imperial and U.S. Glass.

**Urn-Style Candy Jars.** These jars are based on a classic urn shape and many have panels on the side of the base. Diamond's jars have three distinctive rings just below the top collar of the bottoms. These come in a half-pound (Fig. 1, blue) and three-quarter pound (Fig. 2, marigold) size. These are most commonly found in blue, and green, but occasionally, crystal and marigold ones show up. The half-pound ones are often found in sets without lids which makes me believe that they were sold as goblets. Fenton and Northwood made nearly identical jars in half-pound and pound sizes. The Fenton #635 half-pound jar (Fig. 4, Tangerine) has a more rounded base where it meets the foot than the Northwood #659 jar (Fig. 6, Russet). The pound jars are really difficult to separate unless they have the lids. The lids of the Fenton #636 jars (Fig. 5, Persian Pearl) have an inner rim that is straight while the lids of the Northwood #636 jars (Fig. 7, custard) have a distinctly indentation on the rim. If you hold the base with the opening facing you, the mold seam of the Fenton jar runs along the right side of the rays that separate the panels. This seam runs along the left side on Northwood jars. The Fenton #835, half-pound jar (Fig. 8, Florentine Green) is easy to identify because of its hexagonal base. The Fenton jars are most common in Celeste Blue, Florentine Green, and Topaz while Velva Rose, Persian Pearl and Tangerine are obtainable. The Northwood jars are most common in Blue, Topaz, Russet, and Jade Blue, but opaque white and custard are known.

Plain urn-style jars were also made by Fenton. Half-pound #8 (Fig. 23, Florentine Green) and three-quarter pound #9 (Fig. 24, Persian Pearl with grape cutting) jars can be found in most of the common Fenton colors including Ruby. There are also dolphin handled jars in half-pound #1532A (Fig. 25, light Celeste Blue) and three-quarter pound #1533A (Fig. 26, Topaz) sizes. These are normally found in Celeste Blue, Topaz, Velva Rose, Tangerine and Aquamarine. The U.S. Glass jars have smooth exteriors, but four pairs of rib-optic internal ridges (Fig. 17, purple); these are very difficult to find in any color. I've seen them in marigold, olive-green and dark purple. Finally, Diamond made a #900 (Adam's Rib) candy jar (Fig. 3, Blue) which is most commonly found in blue and green, but a crystal one is reported to be known.

**Covered Bonbons.** These are generally short and wide covered jars. Diamond (Fig. 9, Egyptian Lustre, and Fig. 10, Blue Crackle), Fenton #643 (Fig. 11, Wisteria), and Northwood #643 (Fig. 12, Jade Blue) made identical bonbons. The Diamond jars are a bit shorter and the top band of the bottoms

form a straight line where the panels meet it. Like the urn shaped jars, the lids of the Fenton bonbons have a straight fitter ring while the Northwood ones have the distinctive lip. The Fenton jars also have a mold seam running across the top band of the base while Northwood jars have no seam here. Fenton used this bonbon lid on a bowl base to make another jar, #543 (Fig. 15, Velva Rose). Fenton also made two covered bonbons with thin external ribs, the half-pound #943 (Fig. 13, Florentine Green) and one-pound #1043 (Fig. 14, Celeste Blue) jars that are commonly attributed as Diamond's Adam's Rib line. However, if you look closely, the ribs of the Fenton jars dip inward, not out. The Fenton #844 bonbons ("Melon Rib") may have a flower finial (Fig. 19, Aquamarine) or a pagoda finial (Fig. 20, Florentine Green). Neither is easy to find with the lid. Diamond's covered bonbons are usually found in green, blue and topaz, but marigold and the highly prized Egyptian Lustre and Blue Crackle are obtainable. A single red one is also known and pink should also be possible. The Fenton and Northwood bonbons come in virtually all their stretch colors though I've not seen a Ruby stretch one - yet. The #643 bonbons in Tangerine, Royal Blue, custard and opaque white are extremely hard to find.

The delicate Fenton #10 bonbon (Fig. 22, Tangerine) and a similar ball-shaped bonbon (Fig. 16, Velva Rose) are difficult pieces to obtain. These are normally seen in Florentine Green, Velva Rose, Tangerine and Celeste Blue.

**Other Candy Jars.** Fenton made three cone shaped jars: half-pound #735 rib optic (Fig. 27, Wisteria), one-pound #736 rib optic (Fig. 28, light Ruby), and half-pound #568 diamond optic (Fig. 29, Celeste Blue). These are found in most of the common Fenton colors, but I've only seen Ruby in the #736 size. Unfortunately, you see the bases of these jars all the time listed as comports. Lancaster also made a half-pound, cone shaped jar (Fig. 33, crystal with floral decoration) which is commonly mistaken for Fenton, primarily because the Encyclopedia of Carnival Glass lists a black-footed (enameled) one as being Fenton! The U.S. Glass #310 candy jar (Fig. 30, Blue) is also cone shaped, but the distinctive four pairs of external ribs are diagnostic. I know of blue ones, but pink and green should be possibilities.

The rest of the Lancaster jars (Figs. 31-36) include a three-footed, low form (Fig. 35, crystal) which is often found without the lid. Diamond made a similar jar, but the only image of this one is in the stretch glass book (Plate 58)! Two of the footed jars (probably called bonbons, but we have no catalogues to confirm this) were made, one with a short stem (Fig. 31, green to cream enamel and floral decoration) and a tall stem form (Fig. 32, Aztec). These are often found in the three enamel colors (green, red-orange and cream-white). A relatively rare rounded jar (Fig. 36, crystal with floral decoration) is known and two lid finials have been seen (a round, nipple top one and a hexagonal one). Finally, there is a fairly common comport but we found one with a lid that only fits this base (Fig. 34, red-orange enamel with floral decoration).

The last two jars are Imperial's. They made a "waffle-block" jar with two handles (Fig. 21, Iris Ice) and I've figured the Aurora Jewels, small covered jar (Fig. 18) made in the mid-1960s.



Fig. 1



Fig. 2



Fig. 3



Fig. 4



Fig. 5



Fig. 6



Fig. 7



Fig. 8



Fig. 9



Fig. 10



Fig. 11



Fig. 12



Fig. 13



Fig. 14



Fig. 15



Fig. 16



Fig. 17



Fig. 18



Fig. 19



Fig. 20



Fig. 21



Fig. 22



Fig. 23



Fig. 24



Fig. 25



Fig. 26



Fig. 27



Fig. 28



Fig. 29



Fig. 30



Fig. 31



Fig. 32



Fig. 33



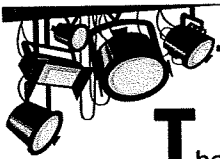
Fig. 34



Fig. 35



Fig. 36



## IN THE LIMELIGHT!

assembled by Renée Shetlar

The Manassas (VA) Museum recently announced a special exhibit, "A Touch of Glass," which features approximately 200 pieces of glassware from the collection of SGS members Cal Hackeman and Eric Hunsley. The exhibit fills seven display cases. Among the items featured in one of the display cases



dedicated to iridescent stretch glass are a giant red Imperial wide panel funeral vase, a Blue Crackle (cobalt blue) Diamond cylindrical vase, a blue Diamond car vase in an ornate metal table stand, two Tangerine Fenton concentric ring bowls and a swung vase, a Ruby Fenton tall fan vase, a pair of Grecian Gold Fenton cut oval candleholders, a Topaz Fenton lemonade pitcher with cobalt base and matching handled tumbler with cobalt coaster and a Ruby Fenton triple dolphin rose bowl. In a separate case, an assortment of

Celeste Blue Fenton boudoir items are displayed.

At the official opening on October 15<sup>th</sup>, Cal shared with the standing-room-only crowd the story of how the gift of a small, Early American Pressed Glass (EAPG) rose bowl from his grandmother when he was 13 years old got him interested in collecting antique glassware. Building on additional pieces of depression glass, black amethyst glass, cut glass, carnival glass and EAPG which he received from family members, purchases at local flea markets and shops in the years that followed and the purchase of a friend's collection of Fenton glass and iridescent stretch glass in the mid 1980's, Cal spoke about how the collection has grown to over 5,000 pieces of glass and china during 40 years of flea marketing, show, mail and internet buying and collecting in general.

Among the examples of glassware which Cal referred to during his talk were a number of pieces of vintage iridescent stretch glass. He used the stretch glass to illustrate the unusual uses for glass items (a butterball tray, a salt dip, a nut cup, a cheese and cracker set, a cigarette holder, to name a few). He also demonstrated the variety of stretch glass by showing a number of the shapes (and colors) of the melon rib line, explaining the process of forming the different shapes from the original molded shape.

The Manassas Museum recently became an authorized Fenton Dealer as a result of Cal's recommendation that they consider featuring Fenton Glass to compliment the exhibit. SGS membership information is also being made available to visitors by the Museum.

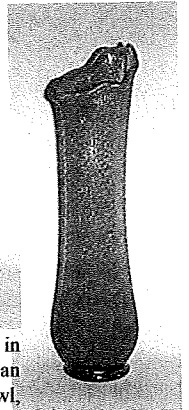


## Fenton Art Glass Company Offers New Stretch Glass to Collectors

I think I am safe in saying that most SGS members favor buying vintage iridescent stretch glass when given a choice. The definition of *vintage* being that which was produced by one of the nine original manufacturers between the years 1916 and the mid-1930s. However, many of us have, in recent years, been enticed into buying some of the **new** pieces—those produced between 1975 and today. The only glass manufacturing company producing stretch glass (by the Society's definition) in the 21<sup>st</sup> century is one of the original companies, the only one who has managed to stay viable in today's glass producing market. The Fenton Art Glass Company is, to my knowledge, the only glass house currently producing exceptional pieces of press- or blown-molded iridescent stretch glass.

The Stretch Glass Society, which formed in 1974, held its first full-scale convention, show and sale in the spring of 1975 in Marietta, Ohio. It was at this convention that the members were treated by then company President, Frank M. Fenton, and the Fenton Art Glass Company, with a surprise demonstration of the manufacture of iridescent stretch.....something the factory had not done in more than 40 years. The 60-plus pieces produced in that demonstration were presented to the members observing and to the Society for selling at their auction. Some of these original SGS souvenirs

have shown up on eBay, in shops and at antique shows in



1975 Souvenirs from mold #638 in various base glass colors. L-R: Persian Pearl fan vase, Ruby flared bowl, Celeste Blue swung vase.

recent years.

The production of new/contemporary stretch glass did not blossom into full production after this exciting demonstration, however. Only an occasional special, limited release such as the items produced in 1980 in Velva Rose for Fenton's 75<sup>th</sup> anniversary were produced. That is until 1994 when the SGS approached Frank Fenton with the request to produce a spectacular stretch glass souvenir to commemorate the Society's 20<sup>th</sup> anniversary. The souvenir produced that year was a Ruby, twin dolphin fan vase which was marked with the Fenton logo as well as etched with SGS 1994 and Frank M. Fenton's signature. The Society has commissioned souvenirs from the Fenton Art Glass Company every year since '94 except for 1995.

Since about 2000, the Fenton Art Glass Company has offered a selection of iridescent stretch glass items among their standard line of products. In fact today, the company website is a veritable treasure-trove of iridescent stretch

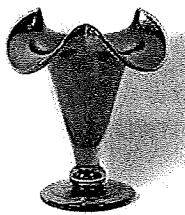
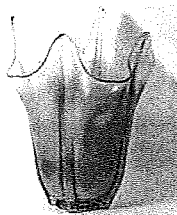
items. I recently visited (<http://www.fentonartglass.com/>) and typed in "stretch" in the search box. About a hundred pieces were listed with colors ranging from Ruby, Aquamarine and Celeste Blue to Apple Green, Rosemilk Opalescent and Violet.

For those who don't have access to the Internet, you'll just have to attend the SGS conventions so that you can visit the Fenton Art Glass factory gift shop where row upon row of beautiful iridescent stretch glass will delight you. The gift shop is located just across the river from Marietta in Williamstown, WV.



Also, the Society has a selection of past club souvenirs still available for purchase by members. For more information about ordering, see elsewhere in this issue of the SGS Quarterly.

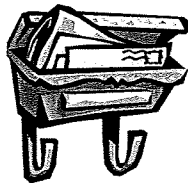
With more contemporary stretch glass in the marketplace, the importance of knowing how to tell the difference between vintage and contemporary is growing. Though the new stretch is always marked with the molded Fenton logo, the process of reheating frequently lessens the visibility and in some cases completely obliterates the logo all together. Know what you are buying because if you aren't buying from the official FAG gift shop, website or a trusted collector or dealer, you may be duped into buying something that has been misrepresented.



Can you tell which are new and which



of the pieces here are old?



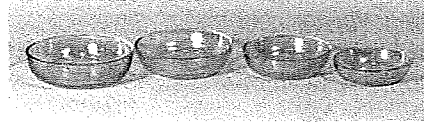
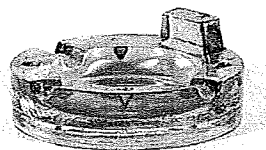
## Letters & E-Mails

[Editor's Note: The following inquiries were received during the second quarter of 2006]

From: Ken Pakula, Rockford, IL

**Q**: I just finished reading your "The 2006 SGS Club Display – A Technical Review". Your discussion with regard to the #202 ashtray piqued my interest. Just about four years ago, I found a set of four inserts in the *Florentine Green* color.

If I interpreted your article



correctly, the green inserts add another "wonderment" to the never answered question of what else

is out there. P.S. And, when will I find a base!

**A**: Hello Ken, it's always great hearing that there are items out there that we suspect *MUST* have been made, but we simply haven't seen. And, since only a small proportion of our SGS membership seem to be able to make it to our convention (and are willing to lug glassware from the far corners of North America!), there are certainly more pieces like yours waiting to surface. It is our belief that stretch glass is often held in family estates much longer than other glass (even carnival), so unusual pieces continue to dribble into the open market where eager stretch glass collectors snap them up! Just this last month the little square vase made by Diamond showed up on eBay in *Blue Crackle*! The seller stated that it came from a local estate sale and the estate sale had several pieces of "nice art glass."

As has been stated before, these #202 ash trays are quite obtainable in *Celeste Blue* and *Topaz*, and now we know that there must have been sets made in *Grecian Gold* (we know of the base), *Persian Pearl* (we've seen the inserts) and now you show up with a set of *Florentine Green* inserts! That would pretty well complete the "common" Fenton stretch colors except for *Wisteria*. This would also suggest to us that these ash tray sets were made early or in the middle of Fenton's production as *Velva Rose*, *Aquamarine*, and *Tangerine* are later colors. But, we've been fooled before, as pieces not known in these colors continue to show up. None common, but they are out there!

As to your chances of finding a green base, who knows! But, now that we know they are possible, we're going to search "ash trays" on eBay a bit more often!!

From: Lynda Randolph, Miami Springs, FL

**Q**: I get a little confused – can you only pay dues at one time each year?

[Also,] if you want to purchase a souvenir, who do you make the request to? I do not find the answers in the Quarterly.

**A**: Hello Lynda, we apologize for not being very consistent with providing this information in each newsletter.....sometimes space gets the better of us!

Membership renewals may be paid at any time, however, to keep the confusion level at a minimum, we try to encourage payment when we send out the renewal statements close to the end of the year. If you have not already received your statement, you will soon. The SGS Treasurer, Phil Waln, has recently mailed them to members.

As for ordering club souvenirs, the person to contact is the Ways and Means Director, Jim Steinbach. He can take your request either via mail at P.O. Box 117, Sunbury, OH 43074, via e-mail at [STRETCHSOCIETY@aol.com](mailto:STRETCHSOCIETY@aol.com), or via telephone at 740-965-2643. We recommend contacting him before sending payment to verify availability of the piece/s you are interested in. See page 3 of this newsletter for a list of souvenirs.





## Stretch Glass Society Establishes Partnership with AntiqueWeek

by Stephanie Leonard Bennett

You've probably already noticed the enclosed offer from AntiqueWeek, 'Compliments of The Stretch Glass Society.' They approached our Society with the proposal that we allow them to make this offer to you, our members, in return for which our Society will get 4 free advertisements in *AntiqueWeek*. We agreed, with the stipulation that they send the offer enclosures to us to insert in the *Quarterly*. We did not, and will never, share our mailing list -- your names and addresses -- with *AntiqueWeek* or any other organization.

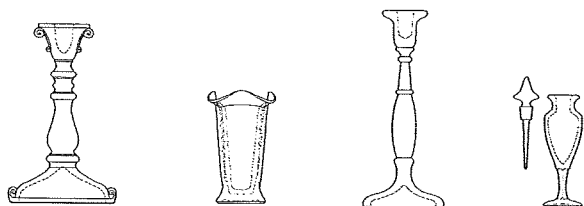
We're sure that many of you already subscribe to *AntiqueWeek*, the most well-known national weekly publication of antique events, for-sale items, and requests to purchase. For those of you who don't, here's how this partnership works:

- By sending the return card to *AntiqueWeek*, YOU get 4 free issues plus an invoice for a 1-year subscription. (If you don't send the postcard, *AntiqueWeek* doesn't know you, and you get nothing.) If you return the invoice with 'cancel' written on it, you get to keep the 4 free issues, and hear no more from them (or us) on the matter.
- By sending you this offer, OUR SOCIETY gets 4 free 2-column by 4-inch advertising spots with color, to promote Stretch Glass and our convention. Last year, 2 advertising spots in this publication cost us a little more than \$270. We thought the publicity was worth that much because this periodical is so popular and widely read. With this partnership, we get about twice as much coverage for free!
- By making this offer, ANTIQUEWEEK obviously hopes to get some new subscribers from our membership. But no minimum number of new subscriptions are needed for us to get the free publicity.

Your Board of Directors voted to take advantage of this offer for the free publicity. It's up to each of us to decide if we want to individually send for the free issues. I think I will. I subscribed for a few years some time ago, but found that I didn't have time to read enough each week to make it worthwhile. But I've recently retired, so may just have time to re-connect with the wider world of national antiques. You may too. If so, enjoy the free issues and, if you decide, your subscription to *AntiqueWeek*. And be sure to watch for The Stretch Glass Society's free advertisements!

### Recent Stretch Glass on eBay

Imperial "Double-Scroll" Console Set in Green Ice ..	\$517
Diamond Square Vase in Blue Crackle .....	\$450
Fenton #649, 10" Candleholders in Celeste Blue .....	\$78



Imperial #44/48 Comport in Amberina .....	\$231
Fenton #749, 12" Candleholders in Topaz .....	\$595
Fenton #16 Bath Jar Set of 3 in Velva Rose .....	\$170
(a second set of 3 #16 jars, also in VR, sold for \$235)	
Fenton #55 Pagoda Top Cologne in Topaz .....	\$190
Fenton #200 Guest Set in curtain optic Topaz with cobalt handle .....	\$1,820
Fenton High-Footed Comport in Wisteria .....	\$250
Fenton #10 Bonbon in Tangerine .....	\$122

### Excuses to Buy or Give Stretch Glass

Election Day .....	November 7
Veteran's Day .....	November 11
Thanksgiving Day .....	November 23

Hanukkah .....	December 15
Christmas Day .....	December 25
New Year's Day .....	January 1

### Conventions, Shows and Sales

South Florida Depression Glass Club  
33<sup>RD</sup> ANNUAL SHOW AND SALE

February 10 and 11, 2007

War Memorial Auditorium

800 NE 8<sup>th</sup> Street

Ft. Lauderdale, FL

Saturday 10am to 5pm, Sunday 10am to 4pm

Admission: \$6.50

For additional information, call 305-884-0335 or email [fboches@cheshirecatantiques.com](mailto:fboches@cheshirecatantiques.com)

20-30-40 Glass Society of Illinois

ANNUAL DEPRESSION ERA GLASS SHOW & SALE

March 10 and 11, 2007

Midwest Conference Center

401 West Lake Street

Northlake, IL

Saturday 10am to 5pm, Sunday 10am to 4pm

Admission: \$7.00

For more information, call 847-394-2491 or visit the website at - <http://www.20-30-40society.org>

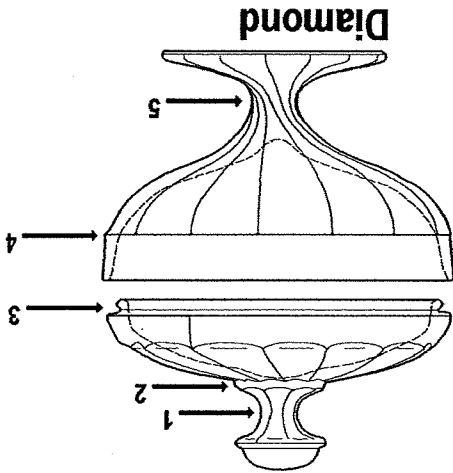
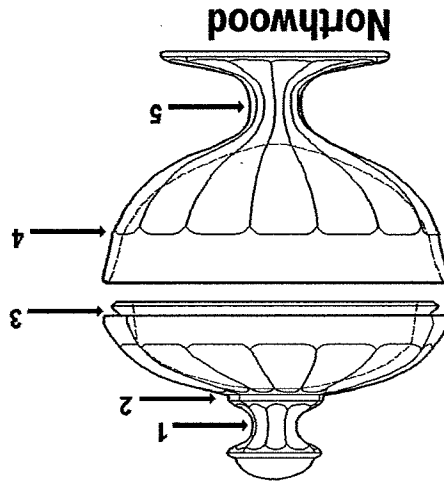
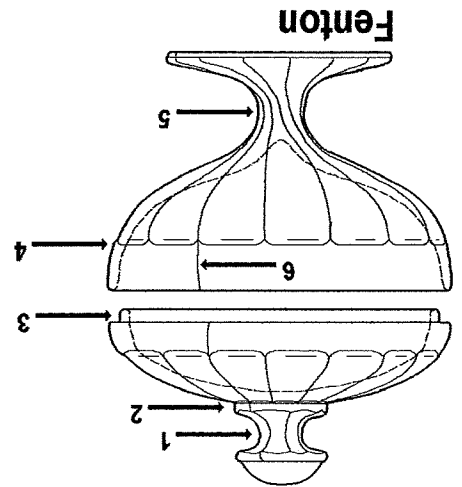


- 1. Knob stem width
- 2. Knob collar
- 3. Lid lip
- 4. Panel junctions
- 5. Base stem
- 6. Base collar

FENTON  
 thick, short  
 thick, straight sided  
 straight sided  
 rounded, smooth  
 thin  
 mold mark

NORTHWOOD  
 thick, longer  
 thin, straight sided  
 indented  
 rounded, rough  
 thick  
 smooth

DIAMOND  
 thin, long  
 thin, rounded  
 indented  
 straight line  
 thin  
 smooth



FOUNDED APRIL 21, 1974 IN DENVER, PENNSYLVANIA

THE STRETCH GLASS SOCIETY

# QUARTERLY

P.O. Box 947  
 Medford, MA 02155

<http://stretchglassociety.org>  
[stretchglassociety@columbus.rr.com](mailto:stretchglassociety@columbus.rr.com)



**First Class Mail**

**TO:**